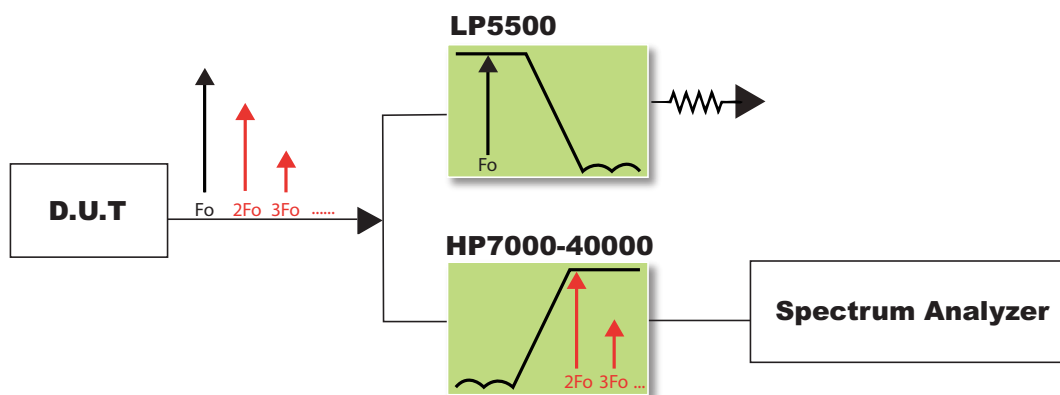


SPCL-00734 — Broadband Diplexer DC to 40 GHz

◆ Features:

- Separates the Carrier below 5 GHz from its Harmonics up to 40 GHz
- Prevents the Carrier from Reflecting to the D.U.T or Entering the Spectrum Analyzer



◆ Electrical Specifications

Lowpass Port	
Passband:	DC-5500 MHz
Insertion Loss:	2.0 dB max.
Return Loss:	DC-5500 MHz: -12 dB min
Rejection: LP port to Common port, Highpass Port Terminated	7000-40000 MHz: -50 dB
Power Handling: Sea level at ambient temperature, COM port 50 Ohm loaded	1 W CW max.

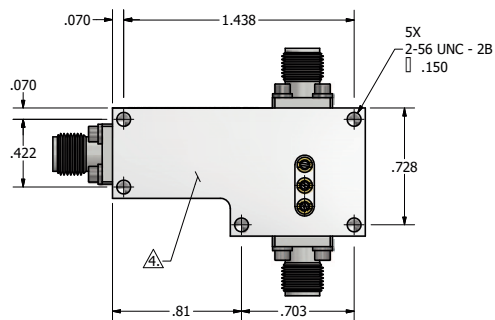
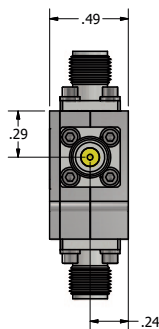
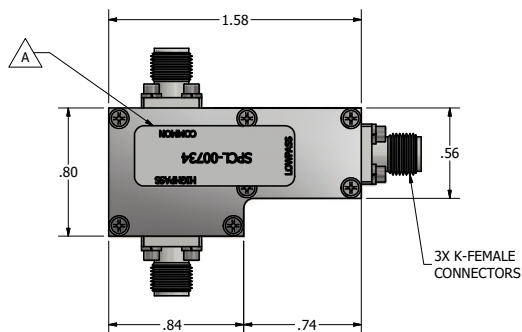
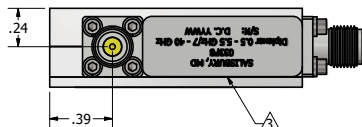
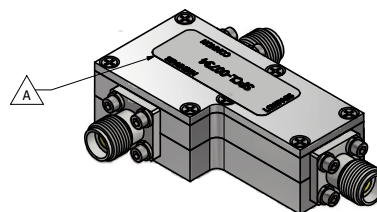
SPCL-00734 — Broadband Diplexer DC to 40 GHz

Highpass Port

Passband:	7000-40000 MHz
Insertion Loss:	2.0 dB max.
Return Loss:	7000-40000 -10 dB min.
Rejection:	DC-5500 MHz: -55 dB
Power Handling: Sea level at ambient temperature, COM port 50 Ohm loaded	100 W CW max.

Mechanical Specifications

RF Connectors	2.92 mm
---------------	---------



SPCL-00734 — Broadband Diplexer DC to 40 GHz

◆ Typical Frequency Response:

