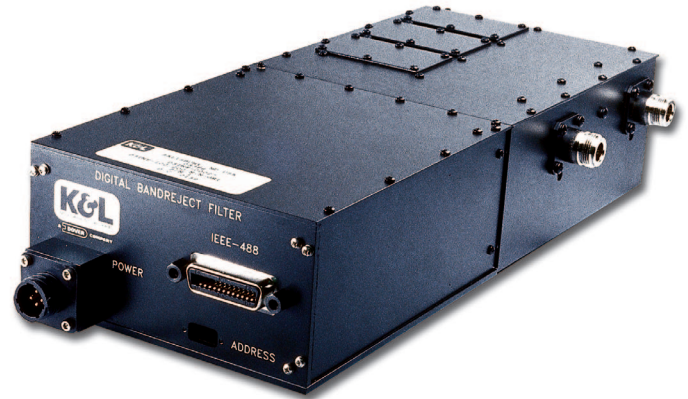


Digitally Controlled Tunable Bandpass Filters

◆ Features:

- Digital Control Allows Complete Automated Operation Via Remote Interfaces.
- GPIB (IEE-488) Standard Remote Interface, RS-232, RS-422, and BCD also Available.
- 24 VDC Standard Drive Voltage, 12 VDC, and 110 VAC also Available
- Contact Factory for Custom Tuning Ranges and Configurations.



◆ Applications:

- ATE Labs
- Wireless Communications
- Military Communications

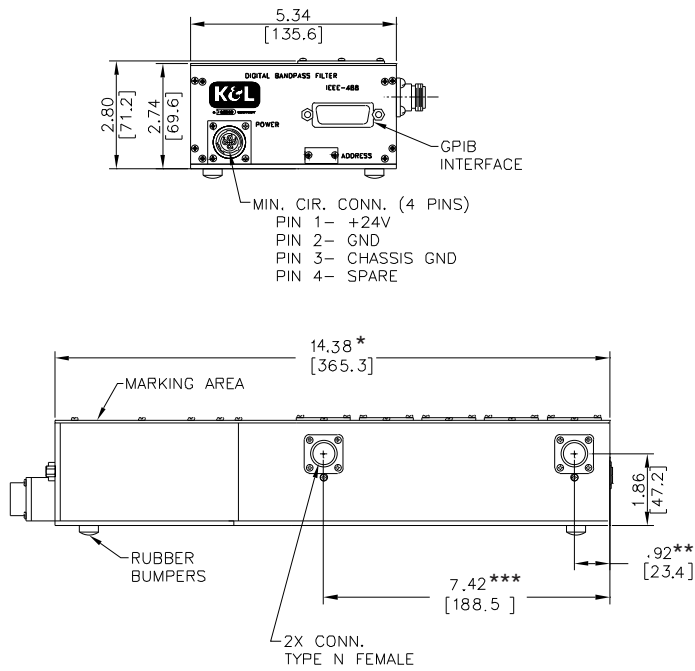
◆ Specifications:

K&L Model Bandpass	Frequency Range (MHz)	Maximum Insertion Loss @ f_0	3 dB BW	VSWR	Shape Factor 30 dB to 3 dB / 50 dB to 3 dB	Power Handling
D5BT-30/76-5-N/N-GRI	30-76	1.3 dB Max	5%	1.5:1	2.2:1 / 3.5:1	50 Watts CW
D5BT-63/125-5-N/N-GRI	63-125	1.3 dB Max	5%	1.5:1	2.2:1 / 3.5:1	50 Watts CW
D5BT-125/250-5-N/N-GRI	125-250	1.3 dB Max	5%	1.5:1	2.2:1 / 3.5:1	50 Watts CW
D5BT-250/500-5-N/N-GRI	250-500	1.0 dB Max	5%	1.5:1	2.2:1 / 3.5:1	50 Watts CW
D5BT-375/750-5-N/N-GRI	375-750	1.0 dB Max	5%	1.5:1	2.2:1 / 3.5:1	50 Watts CW
D5BT-500/1000-5-N/N-GRI	500-1000	1.0 dB Max	5%	1.5:1	2.2:1 / 3.5:1	50 Watts CW
D5BT-750/1500-5-N/N-GRI	750-1500	1.0 dB Max	5%	1.5:1	2.2:1 / 3.5:1	50 Watts CW
D5BT-1000/2000-5-N/N-GRI	1000-2000	1.0 dB Max	5%	1.5:1	2.2:1 / 3.5:1	50 Watts CW
D5BT-1200/2600-5-N/N-GRI	1200-2600	1.0 dB Max	5%	1.5:1	2.2:1 / 3.5:1	50 Watts CW
D5BT-1500/3000-5-N/N-GRI	1500-3000	1.0 dB Max	5%	1.5:1	2.2:1 / 3.5:1	50 Watts CW
Filter Type:	5 Section Bandpass					
Impedance:	50 Ohms					
RF Connectors:	Type N Standard, SMA/TNC/BNC Optional					
Digital Interface:	GPIB Standard, RS-232 / RS-422 / BCD Optional					
Control Power:	24 VDC Standard, 12 VDC / 110 VAC Optional					

Custom configurations and ruggedized versions also available. Contact the factory for custom requirements.

Digitally Controlled Tunable Bandpass Filters

◆ D5BT Mechanical:



D5BT-1200/2600-5-N/N-GRI =

* Length is 11.92" (303mm)

** Connector Diameter is .67" (17mm)

*** Connector Diameter is 5.17" (131mm)