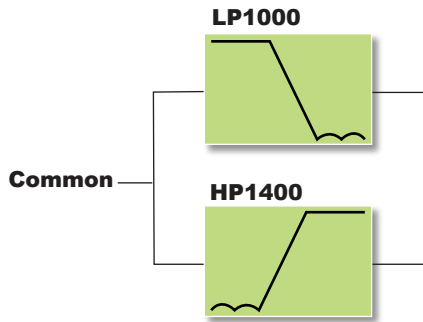


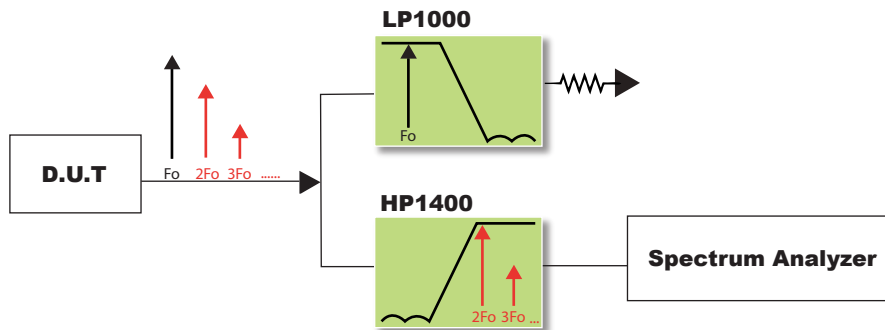
WSD-00568-X — Low-PIM High Power Highpass/Lowpass Diplexer

◆ Electrical Schematic



◆ Features:

- Separates the Carrier from its Harmonics
- Prevents the Carrier from Reflecting to the D.U.T or Entering the Spectrum Analyzer
- Low PIM Design - Provides Maximum Dynamic Range and Maintains Certainty of Measurements



◆ Electrical Specifications

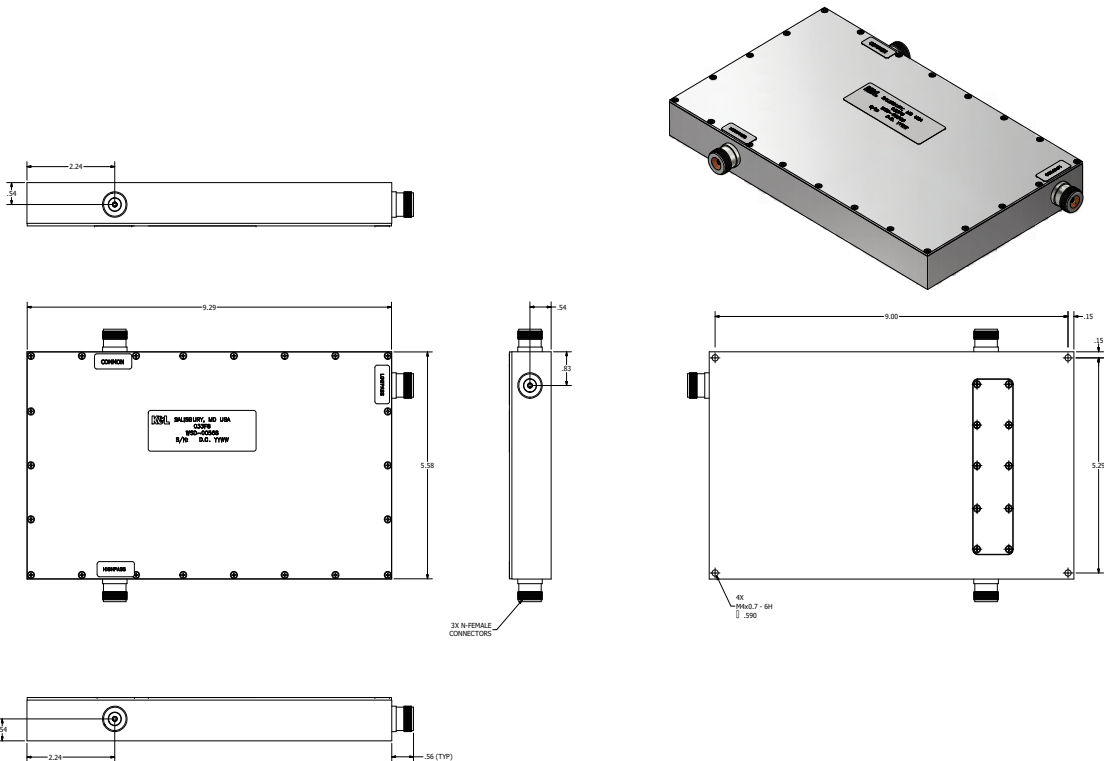
Lowpass Port	
Passband:	DC-1000 MHz
Insertion Loss:	1.0 dB max.
Return Loss:	-15 dB min.
Rejection: LP port to Common port, Highpass Port Terminated	1400-4000 MHz: -50 dB
Power Handling: Sea level at ambient temperature, COM port 50 Ohm loaded	100 W CW max.

WSD-00568-X — Low-PIM High Power Highpass/Lowpass Diplexer

Highpass Port	
Passband:	1400-4000 MHz
Insertion Loss:	1.0 dB max.
Return Loss:	-10 dB min.
Rejection:	DC-1000 MHz: -90 dB
Power Handling: Sea level at ambient temperature, COM port 50 Ohm loaded	100 W CW max.

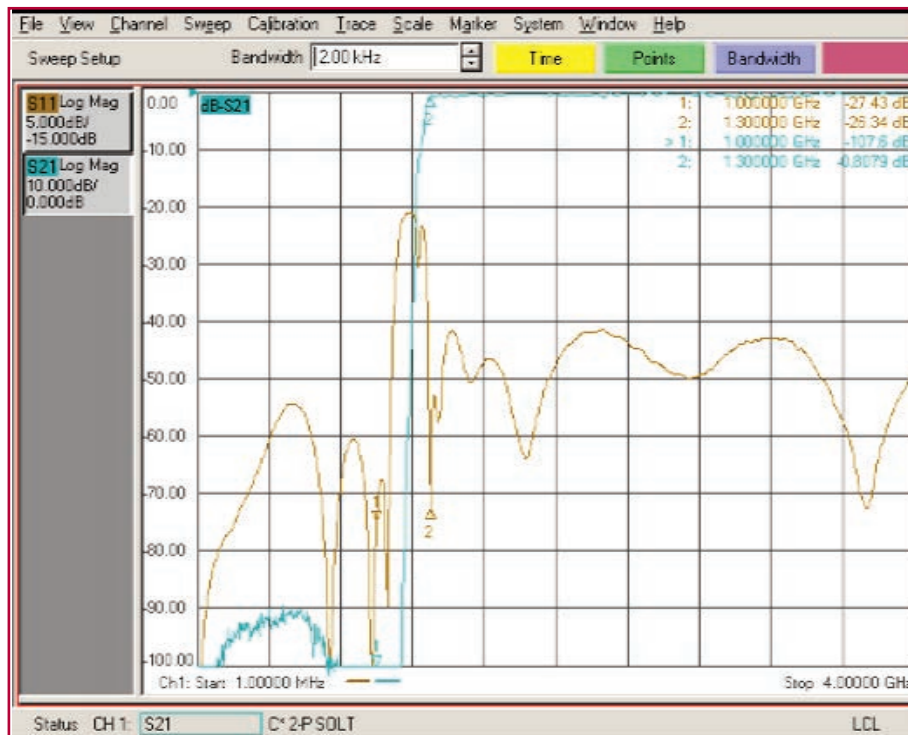
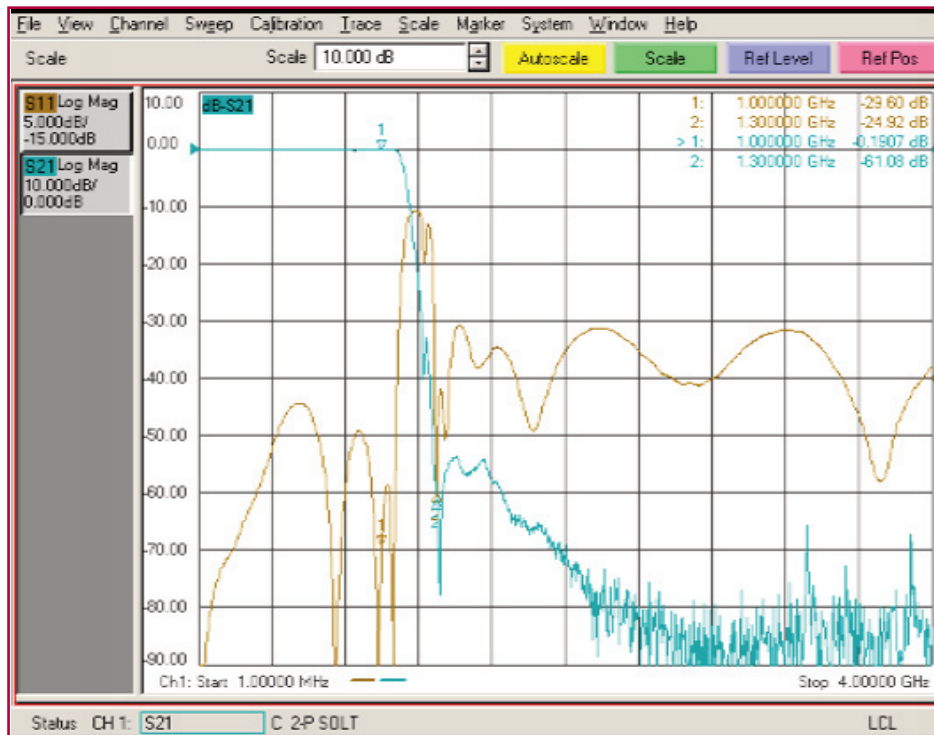
PIM Specifications (2X Tones of +43 dBm each presented at the Common or LPF Port)	
Part Number	3rd Order IMD
WSD-00568	NA
WSD-00568-1	130 dBc
WSD-00568-2	156 dBc
WSD-00568-3	161 dBc

Mechanical Specifications	
RF Connectors	N- Type (F)



WSD-00568-X — Low-PIM High Power Highpass/Lowpass Diplexer

◆ Typical Frequency Response:



WSD-00568-X — Low-PIM High Power Highpass/Lowpass Diplexer

◆ PIM Measurement:

