

Bandreject — N Series

◆ Features:

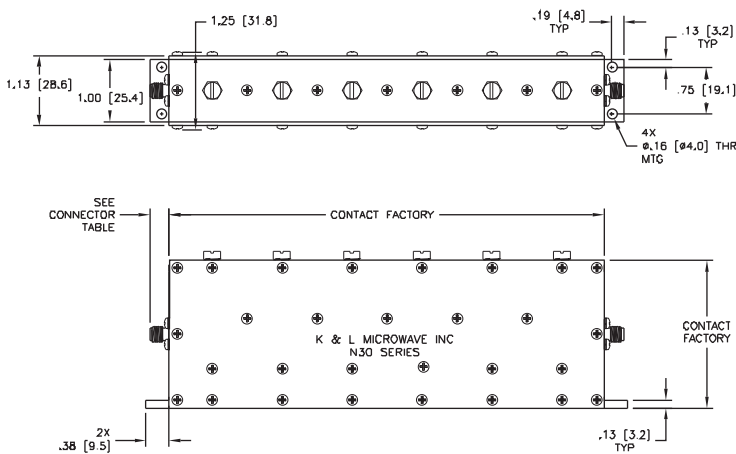
- Covers the 30 to 10000 MHz Frequency Range
- Low Passband Insertion Loss
- High Notch Attenuation
- 3 dB BW Available from 0.5% to 5% (f_0)
- Low Ripple Chebyshev Design Response



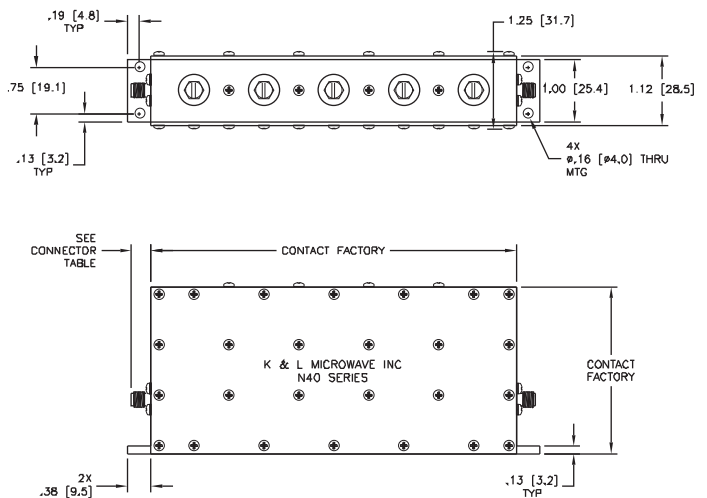
◆ Specifications:

Model	Frequency (MHz)	3 dB % BW	VSWR	Average Power (Watts)	Impedance (Ohms)	No. of Sections	Shock	Vibration	Temp.	Rel. Humidity	Mechanical
N30	30-450	1-5	1.5:1	1.5	50	3-6	Contact Factory			0-95%	Fig. 1
N40	451-800	1-5	1.7:1	10	50	3-6					Fig. 2
N45	801-3000	0.5-5	1.7:1	10	50	3-6					Fig. 3
N50	3001-10000	0.5-5	1.7:1	10	50	3-6					Fig. 4

◆ Figure 1:

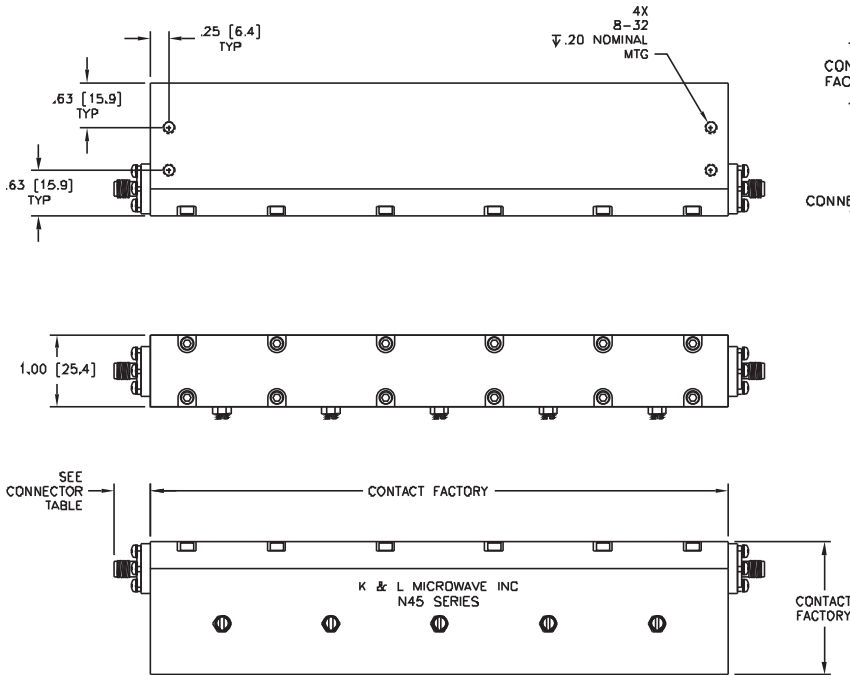


◆ Figure 2:

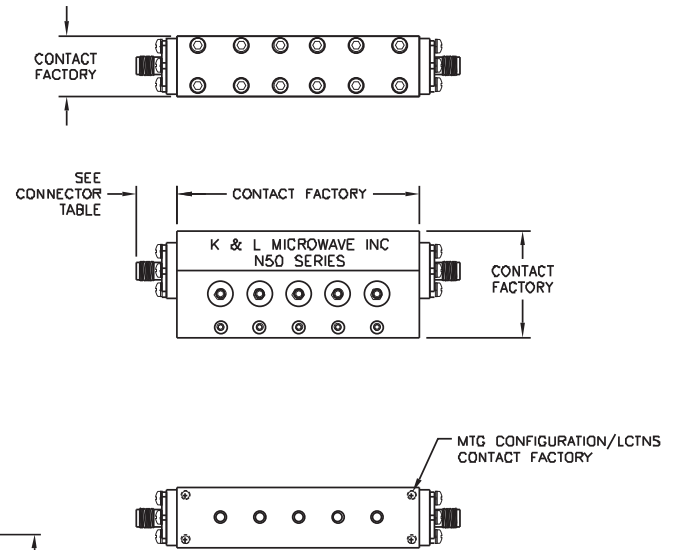


Bandreject — N Series

◆ Figure 3:



◆ Figure 4:



◆ To Order:

5 N 30 — 162 / E 3 - O / O
 1 2 3 4 5 6 7 8

Code	Description
1	Number of Sections
2	Series (Notch)
3	Package Designator
4	Center Frequency (MHz)
5	Supplemental Codes (See Page 13)
6	Bandwidth (MHz)
7	Input Connector
8	Output Connector

◆ Connectors:

Connector	Code	Length
SMA Female	O	.34-.38" / 8.64-9.65mm
SMA Male	OP	.51" / 12.95mm
N Female	N	.75" / 19.05mm
N Male	NP	.79" / 20.06mm
TNC Female	T	.75" / 19.05mm
TNC Male	TP	.85" / 21.59mm
BNC Female	B	.72" / 18.29mm
BNC Male	BP	.88" / 22.35mm