

# Filter Adaptor Family

## ◆ Features:

- Custom Solution for All Filter Types: Lowpass, Bandpass, Highpass and Band Stop
- Compact and Rigid- Filter Resides in an SMA Adaptor
- "Quick Fix"- Filter Solution is External to Electronic Equipment and can be Easily Maintained
- Power Handling 10 Watts CW
- Other Custom Designs are Available Upon Request

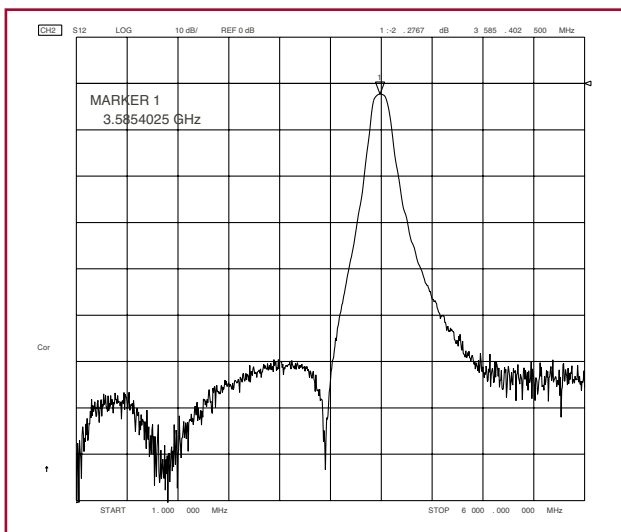
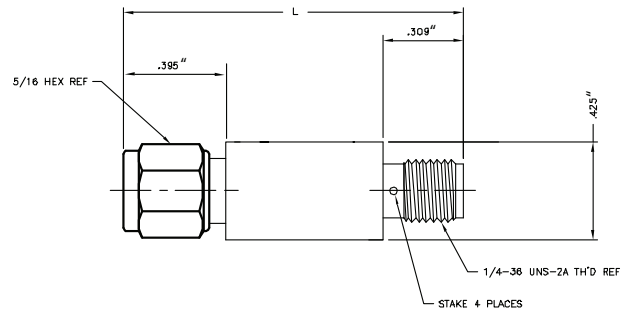
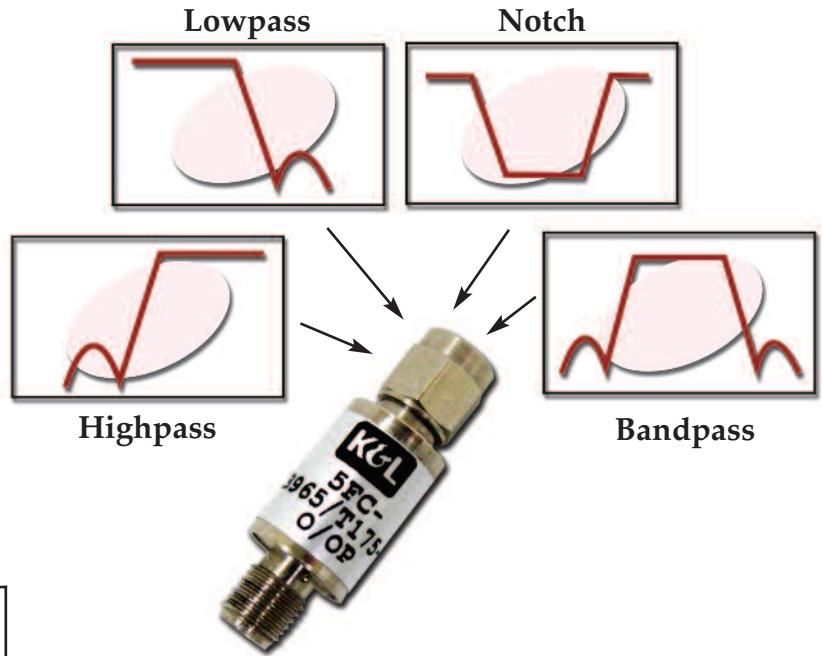
## ◆ Specifications:

Length (L)	No. of Sections	Frequency (GHz)	TYPE
1.312"	3	2-10	LP, BP, HP
1.536"	3-5	2-10	LP, BS, HP, BP

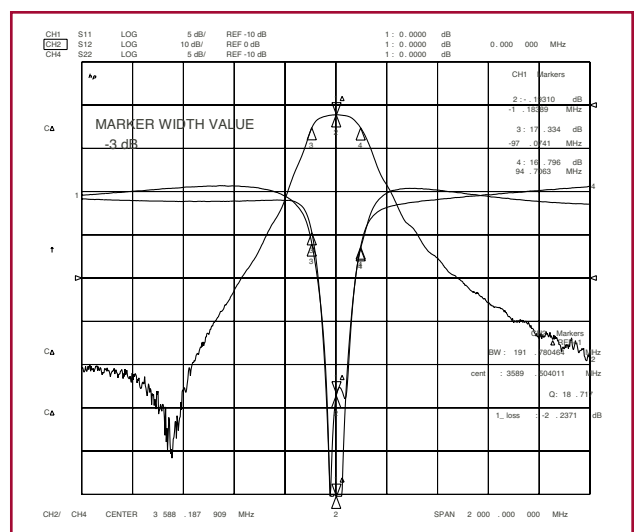
- Band-Stop Filters are available upon request
- N-type Connectors are available upon request.

## ◆ Applications:

- RF and Microwave Links Where Interference Mitigation of Signals are Accomplished by a Quick and Compact Enclosure



Wideband Response



Narrowband Response

www.klmicrowave.com  
 Phone: 410-749-2424 • FAX: 443-260-2268  
 Email: sales@klmicrowave.com



www.klfilterwizard.com  
 2250 Northwood Drive  
 Salisbury, MD 21801