

Low-PIM Duplexer 1850-1910 / 1930-1990 (Band 2) — WSD-00730

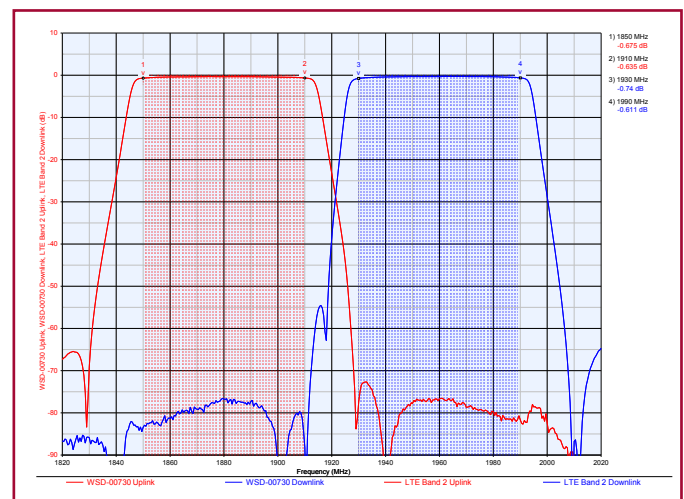
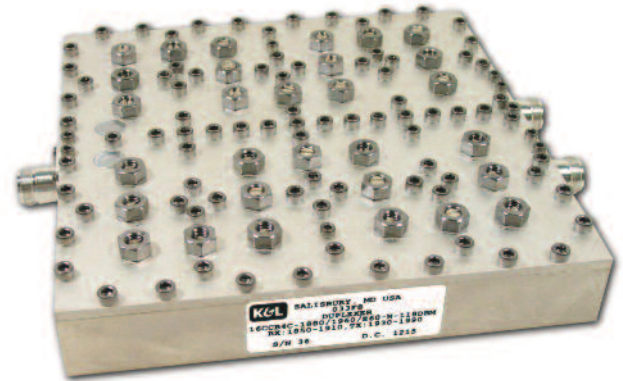
Low-PIM, High Power TEM Duplexer Routes (Splits/Combines)
TX/RX Signals

◆ Applications:

- DAS Networks for Indoor/Outdoor Applications
- Test Equipment
- Base Stations

◆ Technical Data

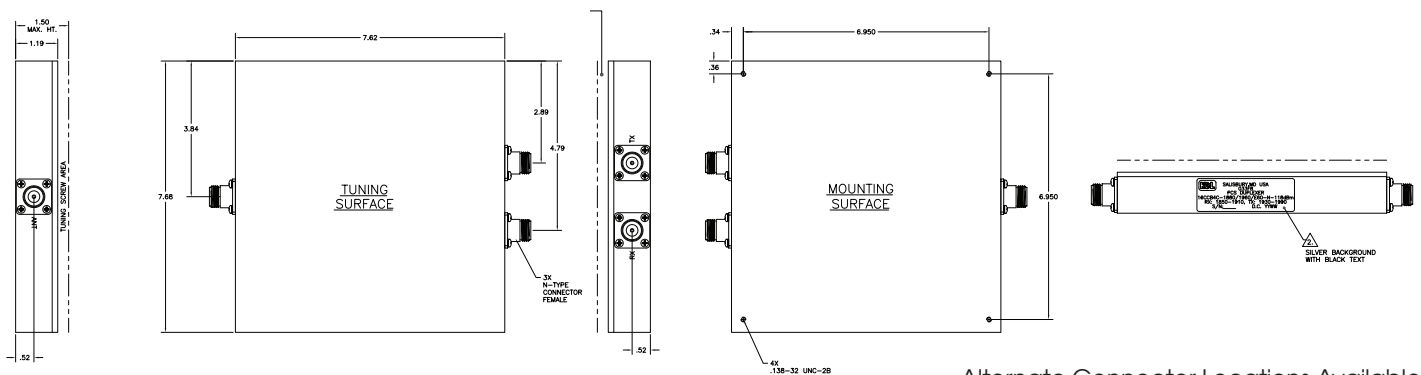
Passband	
Lowband - RX:	1850-1910
Highband - TX:	1930-1990
Insertion loss	
Antenna - TX:	0.85 dB
Antenna - RX:	0.85 dB
Isolation RX-TX:	70 dB
Return Loss:	-20 dB
Impedance:	50 Ω
Input Power:	100 W
Third Order Intermodulation Product: (2 x 20 W tones input to the antenna port measured in the reflective mode)	156 dBc, N-Type Connector 161 dBc, 7/16 Connector
Temperature Range:	-20°C to +50°C
Connectors:	N or 7/16
Application:	Indoor (Sealed Outdoor Units Available)
Mounting:	4 Mounting holes, 6-32 (Custom Mounting Available)
Dimensions (W x H x D):	7.62" x 7.68" x 1.50"



Measured Performance Data

Other custom RF and performance mechanical configurations available.

◆ Outline Drawing:



Alternate Connector Locations Available

www.klmicrowave.com
Phone: 410-749-2424 • FAX: 443-260-2268
Email: sales@klmicrowave.com



www.klfilterwizard.com
2250 Northwood Drive
Salisbury, MD 21804